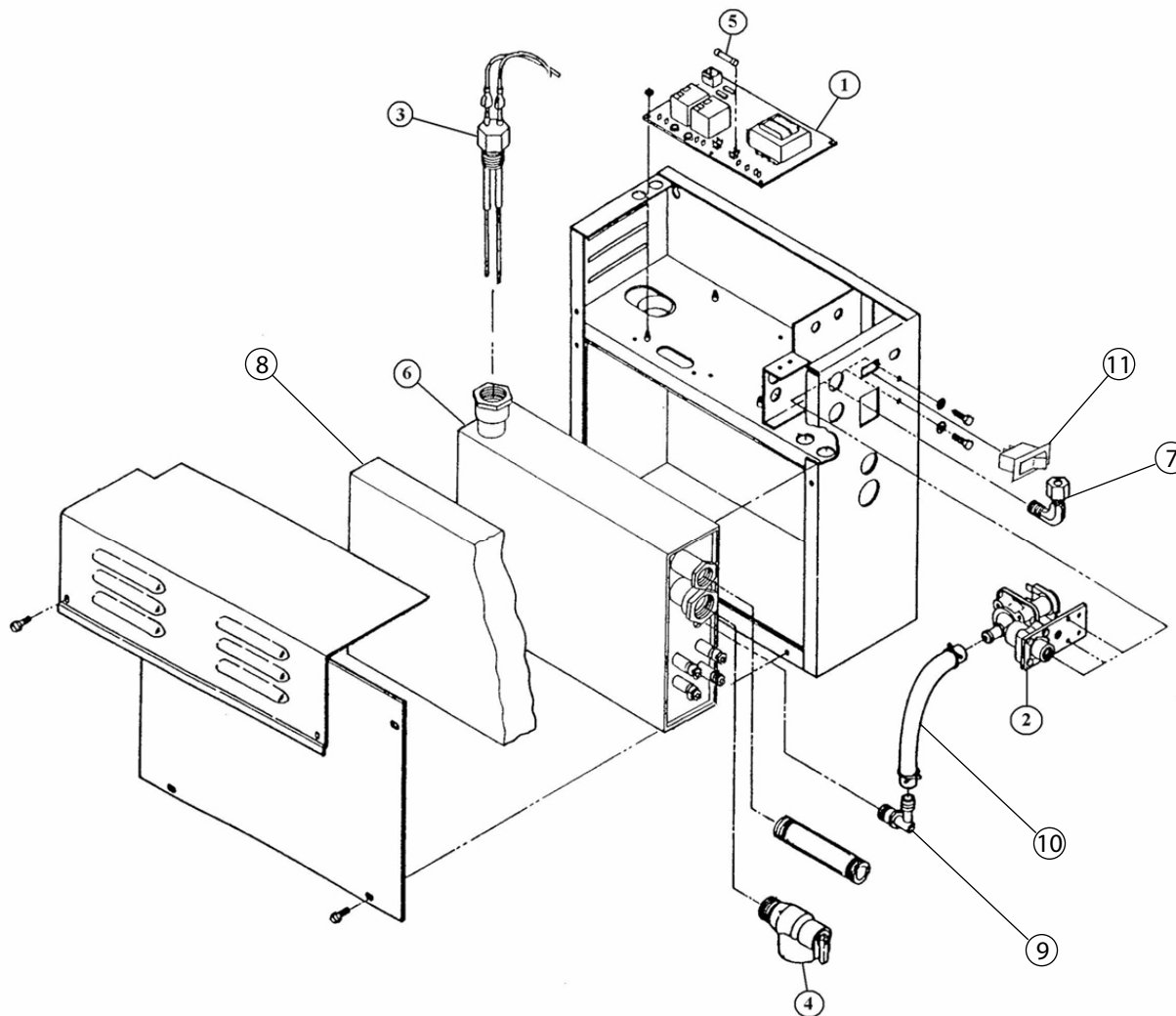


Models: SM-46 & SM-79

*Prices are subject to change without notice.

<u>Item No.</u>	<u>Part No.</u>	<u>Part Description</u>	<u>List Price</u>
1	007-5169	LLC-1300-3 Printed Circuit Board	\$279.00
2	007-1274	Water Solenoid 3/8"	\$84.00
3	007-1164	Probe Assembly	\$47.00
4	007-1211	Safety Valve 8lbs.	\$72.00
5	007-6357	Fuse - 0.15 AMP (Mounted on PCB)	\$9.00
6	006-2061-4	Tank & Element Assembly - SM-46 240V	No Drain \$543.00
	006-2060	Tank & Element Assembly - SM-46 208V	No Drain \$543.00
	006-2061-4A	Tank & Element Assembly - SM-46 240V	W/ Drain \$543.00
	006-2060A	Tank & Element Assembly - SM-46 208V	W/ Drain \$543.00
	006-2063-4	Tank & Element Assembly - SM-79 240V	No Drain \$660.00
	006-2062	Tank & Element Assembly - SM-79 208V	No Drain \$660.00
	006-2063-4A	Tank & Element Assembly - SM-79 240V	W/ Drain \$660.00
	006-2063A	Tank & Element Assembly - SM-79 208V	W/ Drain \$660.00
7	005-2148	Elbow, brass, 3/8C x 3/8mPT	\$7.00
8	006-6186	Insulation, SM/LT, 6 pc. Set	\$18.00
9	005-2147	Elbow, plastic, 3/8mPT x 3/8hb	\$8.00
10	007-1246K-LT	Hose, LT Cabinet 13 inches	\$15.00
11	007-1329	Switch, rocker, wht	\$6.00

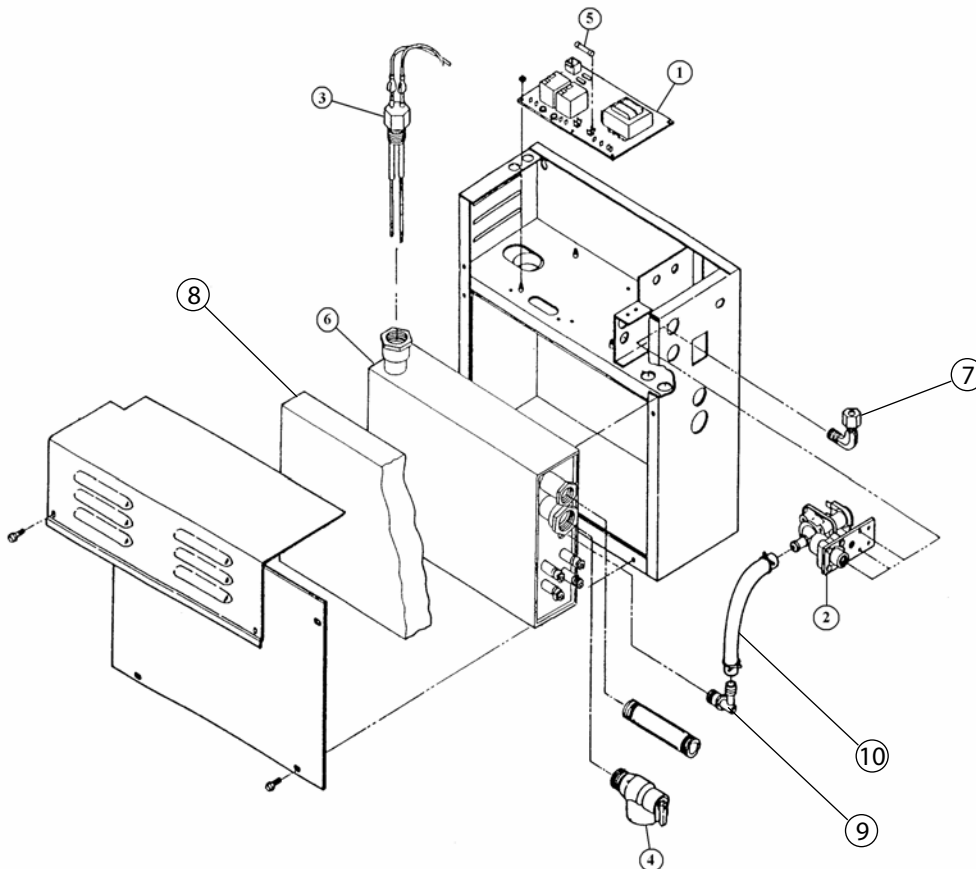
*Prices are subject to change without notice.



Models: SM-4, SM-5, SM-7 & SM-8
*Prices are subject to change without notice.

<u>Item No.</u>	<u>Part No.</u>	<u>Part Description</u>	<u>List Price</u>
1	007-5169	LLC-1300-3 Printed Circuit Board	\$279.00
2	007-1274	Water Solenoid 3/8"	\$84.00
3	007-1164	Probe Assembly	\$47.00
4	007-1211	Safety Valve 8lbs.	\$72.00
5	007-6357	Fuse - 0.15 AMP (Mounted on PCB)	\$9.00
6	006-2000/2A	Tank & Element Assembly - SM-4 240V	No Drain \$494.00
	006-2000/1A	Tank & Element Assembly - SM-4 208V	No Drain \$494.00
	006-2000/2B	Tank & Element Assembly - SM-4 240V	W/ Drain \$494.00
	006-2000/1B	Tank & Element Assembly - SM-4 208V	W/ Drain \$494.00
	006-2010/2A	Tank & Element Assembly - SM-5 240V	No Drain \$528.00
	006-2010/1A	Tank & Element Assembly - SM-5 208V	No Drain \$528.00
	006-2010/2B	Tank & Element Assembly - SM-5 240V	W/ Drain \$528.00
	006-2010/1B	Tank & Element Assembly - SM-5 208V	W/ Drain \$528.00
	006-2030/2	Tank & Element Assembly - SM-7 240V	No Drain \$570.00
	006-2030/1	Tank & Element Assembly - SM-7 208V	No Drain \$570.00
	006-2030/2B	Tank & Element Assembly - SM-7 240V	W/ Drain \$570.00
	006-2030/1B	Tank & Element Assembly - SM-7 208V	W/ Drain \$570.00
6	006-2045/2	Tank & Element Assembly - SM-8 240V	No Drain \$642.00
	006-2045/1	Tank & Element Assembly - SM-8 208V	No Drain \$642.00
	006-2045/2A	Tank & Element Assembly - SM-8 240V	W/ Drain \$642.00
	006-2045/1A	Tank & Element Assembly - SM-8 208V	W/ Drain \$642.00
	PREHEAT-K	Preheat Replacement Kit Assembled to Tank	\$195.00
7	005-2148	Elbow, brass, 3/8C x 3/8mPT	\$7.00
8	006-6186	Insulation, SM/LT, 6 pc. Set	\$18.00
9	005-2147	Elbow, plastic, 3/8mPT x 3/8hb	\$8.00
10	007-1246K-LT	Hose, LT Cabinet 13 inches	\$15.00

***Prices are subject to change without notice.**

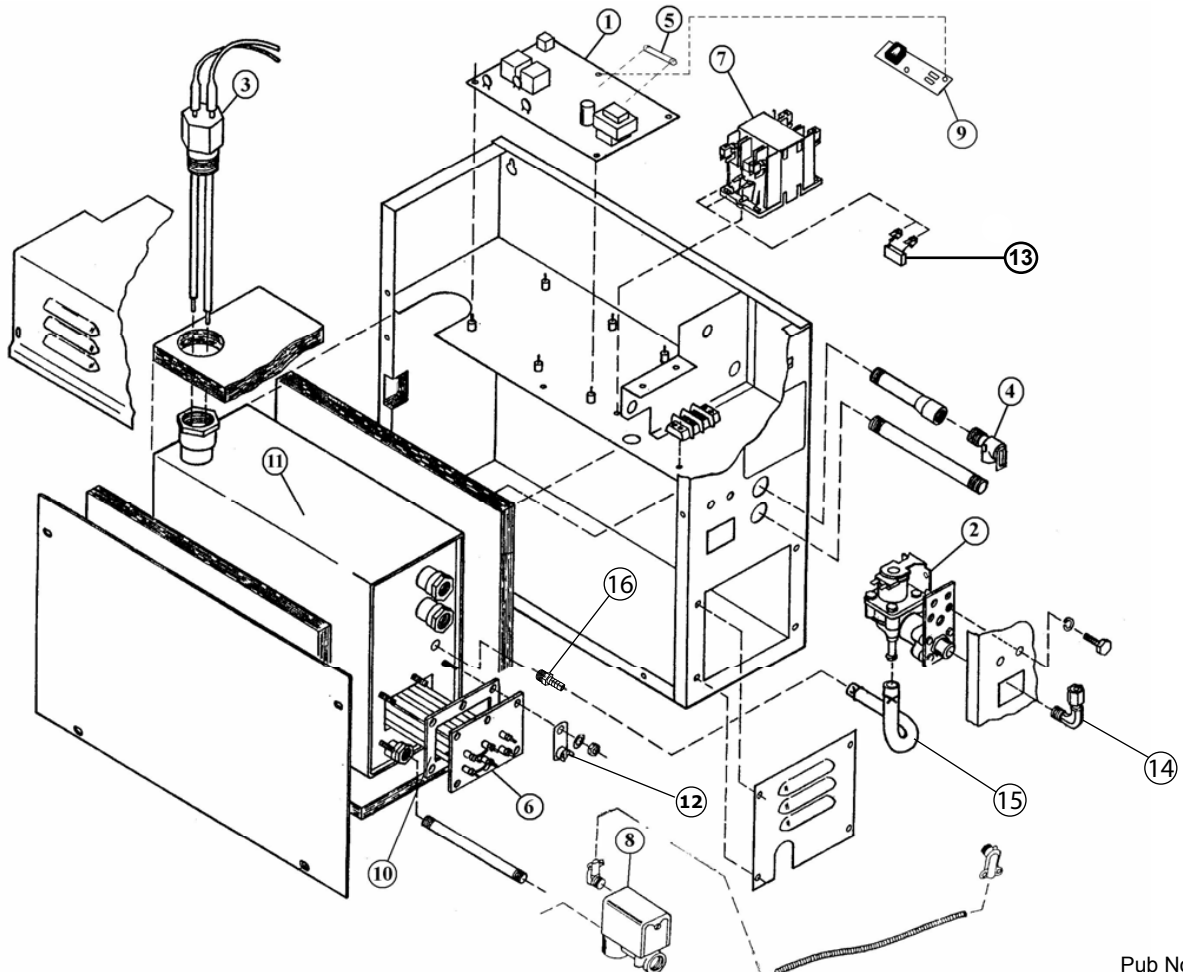


Models: SM-11 & System-18 (Primary/Secondary)

With Serial Numbers 44xxxxx, MRxxxxx, 47xxxxx

Item No.	Part No.	Part Description	List Price
1	007-5169	LLC-1300-3 Printed Circuit Board	\$279.00
	007-5183	LLC-1300-4 Printed Circuit Board (Slave generators only)	\$279.00
2	007-1274	Water Solenoid 3/8"	\$84.00
3	007-5369	Probe Assembly (For Serial# up to 4434978, 4700000-4701100)	\$47.00
3A	007-1164	Probe Assembly (For Serial# 4434979 thru 4436000)	\$47.00
4	007-1211	Safety Valve 8lbs.	\$72.00
5	007-6357	Fuse - 0.15 AMP (Mounted on PCB)	\$9.00
6	006-5120-15	SM-11 Tank & Element Assembly - 11kW 240V/1PH	\$329.00
	006-5120-11	SM-11 Tank & Element Assembly - 11kW 208V/1PH	\$329.00
	006-5120-16	SM-11 Tank & Element Assembly - 11kW 240V/3PH	\$329.00
	006-5120-12	SM-11 Tank & Element Assembly - 11kW 208V/3PH	\$329.00
	006-5120-05	SYS-18 Tank & Element Assembly - 9kW 240V/1PH	\$305.00
	006-5120-01	SYS-18 Tank & Element Assembly - 9kW 208V/1PH	\$305.00
	006-5120-06	SYS-18 Tank & Element Assembly - 9kW 240V/3PH	\$305.00
	006-5120-02	SYS-18 Tank & Element Assembly - 9kW 208V/3PH	\$305.00
	PREHEAT-K	Preheat Replacement Kit Assembled to Tank (InstaMist ONLY)	\$195.00
7	007-1307	2-Pole 40/50 AMP (SM-11 208V/1PH)	\$135.00
	007-1301	3-Pole 40/50 AMP (SM-11 3PH)	\$138.00
8	9060	Auto-Drain - 240V	\$400.00
	9061	Auto-Drain - 208V	\$400.00
9	007-5294	Interface Printed Circuit Board (SYS-slave)	\$44.00
10	006-9102	Heating Element Gasket	\$25.00
11	006-9108-KIT	MR/SS TANK (ONLY, supplied with item# 3A)	\$579.00
12	007-4120	Drain Down Thermostat	\$39.00
13	007-6420	Contact Snubber	\$12.00
	006-6088	Telco Splitter 6 Cond. (Supplied with Systems)	\$20.00
	5158	25' Multi-Conductor Cable (Supplied with Systems)	\$55.00
14	005-2148	Elbow, brass, 3/8C x 3/8mPT	\$7.00
15	007-1246K-LT	Hose, LT Cabinet 13 inches	\$15.00
16	005-2162	Adapter, Plastic 3/8hbX3/8mPT	\$5.00

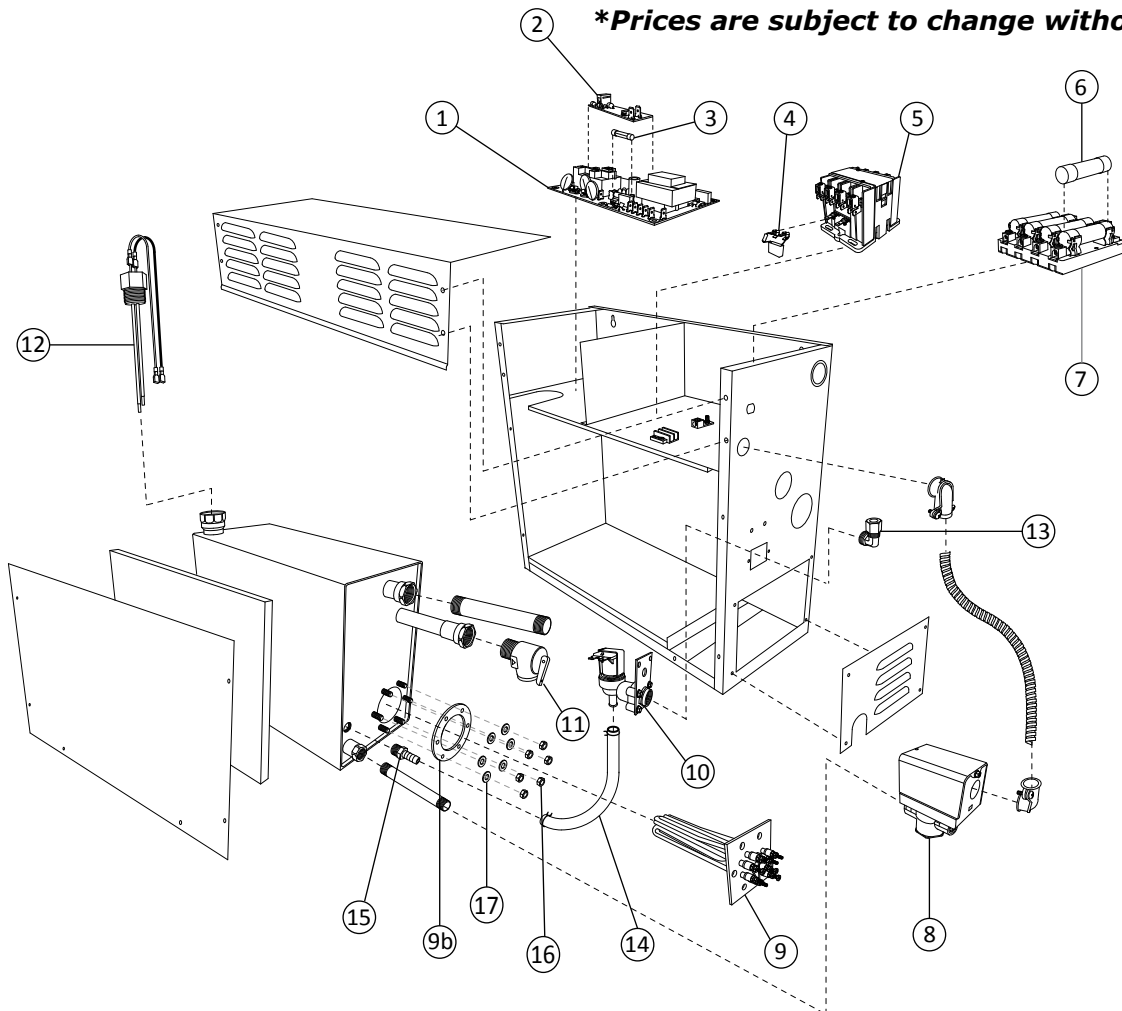
***Prices are subject to change without notice.**



<u>Item No.</u>	<u>Part No.</u>	<u>Part Description</u>	<u>List Price</u>
1	007-5169	LLC-1300-3 Printed Circuit Board	\$279.00
	007-5183	LLC-1300-4 Printed Circuit Board (For slave generator only)	\$279.00
2	007-5294	Interface Printed Circuit Board (System-Secondary)	\$44.00
3	007-6357	Fuse - 0.15 Amp (Mounted on PCB)	\$9.00
4	007-6420	Contactor Snubber	\$12.00
5	007-1310	4-Pole 40/50 Amp contactor (SM-12&15 1PH)	\$138.00
	007-1301	3-Pole 40/50 Amp contactor (SM-12&15 3PH)	\$138.00
6	007-1271	Fuse, 40 Amp, 250V, Class H or K5 (SM-12)	\$9.00
	007-1012	Fuse, 50 Amp, 250V, Class H or K5 (SM-15)	\$9.00
7	007-1269	Fuse Block, 4 Fuse 2 Pole, up to 60A	\$90.00
8	9060	Auto-Drain 240V	\$400.00
	9061	Auto-Drain 208V	\$400.00
9	006-5106	SM-12 Heating Element 12kW 240V 1PH	\$348.00
	006-5104	SM-12 Heating Element 12kW 208V 1PH	\$348.00
	006-5107	SM-12 Heating Element 12kW 240V 3PH	\$348.00
	006-5105	SM-12 Heating Element 12kW 208V 3PH	\$348.00
	006-5110	SM-15 Heating Element 15kW 240V 1PH	\$389.00
	006-5108	SM-15 Heating Element 15kW 208V 1PH	\$389.00
	006-5111	SM-15 Heating Element 15kW 240V 3PH	\$389.00
	006-5109	SM-15 Heating Element 15kW 208V 3PH	\$389.00
9b	006-6176	Heating Element Gasket	\$24.00
10	007-1274	Water Solenoid Valve 3/8"	\$84.00
11	007-1211	Safety Relief Valve 8lbs.	\$72.00
12	007-5369	Probe Assembly	\$47.00
	006-6088	Telco Splitter 6 Conductor (Supplied with Systems)	\$20.00
	5158	25' Multi-Conductor Cable (Supplied with Systems)	\$53.00
	007-4120	Drain Down Thermostat	\$39.00
	PREHEAT-K	Preheat Replacement Kit Assembled to Tank (InstaMist ONLY)	\$195.00
13	005-2148	Elbow, brass, 3/8C x 3/8mPT	\$7.00
14	007-1246K-LT	Hose, LT Cabinet 13 inches	\$15.00
15	005-2162	Adapter, Plastic 3/8hbX3/8mPT	\$5.00
16	004-1042	Nut, brass, 5/16-18, nickel pl	\$0.50
17	004-1008	Washer, flat, 5/16 plated steel	\$0.10

SM-12, SM-15, System-24, and System-30 Steam Generators

***Prices are subject to change without notice.**

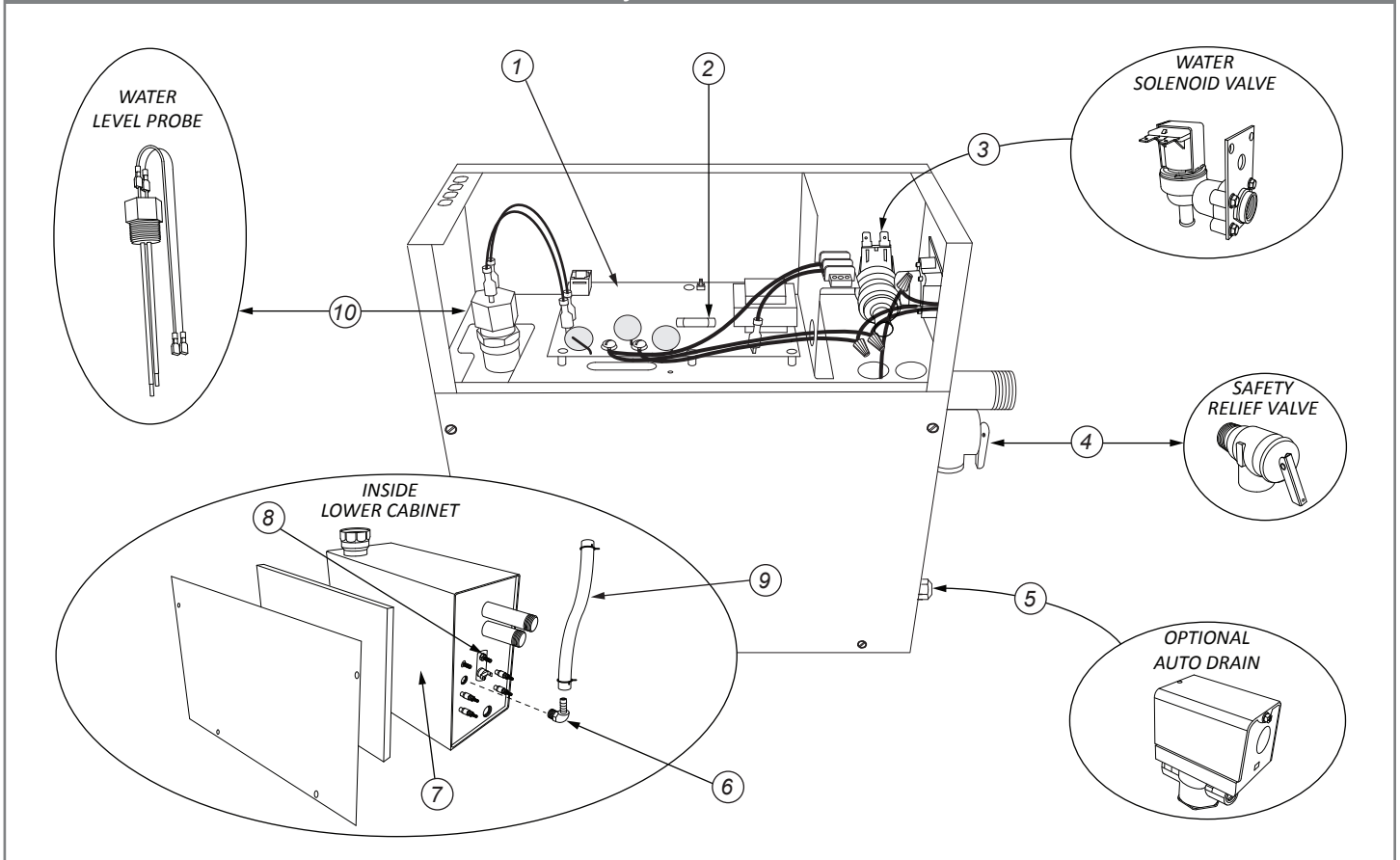


Models: SM-5, SM-7, SM-9 Auto Drain Ready
With Serial Numbers 1000000 thru 3000000 for all others see Pub.# 608-2

<u>Item No.</u>	<u>Part No.</u>	<u>Description</u>	<u>List Price</u>
1	007-5169	LLC-1300-3 Printed Circuit Board	\$279.00
2	007-6357	Fuse - 0.15 Amp (Mounted on PCB)	\$9.00
3	007-1274	Water Solenoid 3/8"	\$84.00
4	007-1211	Safety Relief Valve 8lbs.	\$72.00
5	9060	Auto Drain Valve 240V (Optional)	\$400.00
	9061	Auto Drain Valve 208V (Optional)	\$400.00
6	005-2147	Plastic Elbow	\$8.00
7	006-2010/2B	Tank & Element Ass. - SM-5 - 5010 (240V/1PH)	\$528.00
	006-2010/1B	Tank & Element Ass. - SM-5 - 5011 (208V/1PH)	Auto Drain Ready \$528.00
	006-2030/2B	Tank & Element Ass. - SM-7 - 7010 (240V/1PH)	Auto Drain Ready \$570.00
	006-2030/1B	Tank & Element Ass. - SM-7 - 7011 (208V/1PH)	Auto Drain Ready \$570.00
	006-2050/1A	Tank & Element Ass. - SM-9 - 9010 (240V/1PH)	Auto Drain Ready \$684.00
	006-2050/2A	Tank & Element Ass. - SM-9 - 9011 (208V/1PH)	Auto Drain Ready \$684.00
8	007-4173	Drain Down Thermostat	\$38.00
9	007-1246K-LT	Hose 1.08 feet W/Clamps	\$15.00
10	007-1164	Probe Assembly	\$47.00

*Prices are subject to change without notice.

Models: SM-5, SM-7, SM-9 Auto Drain Ready



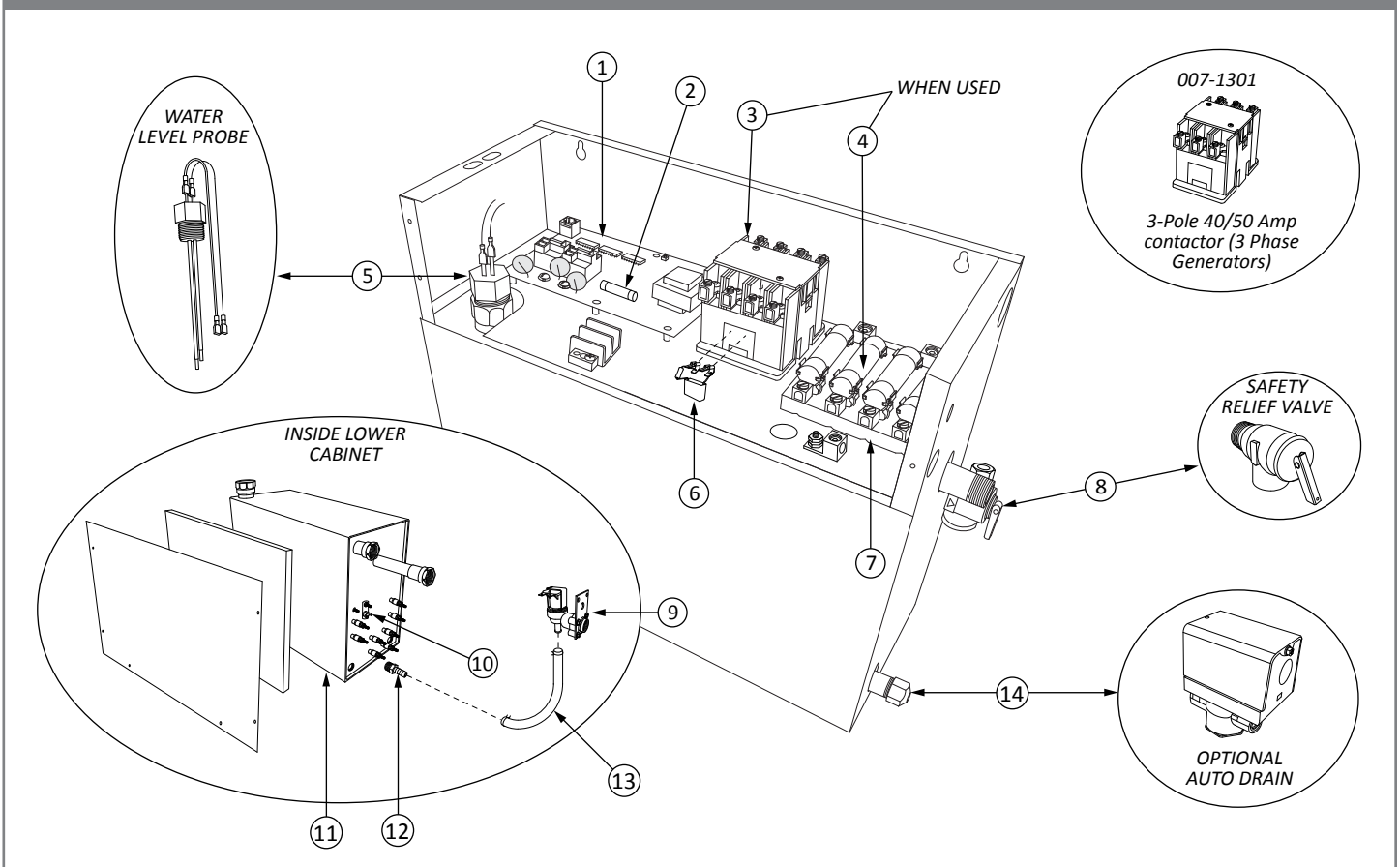
Models: SM-11, SM-12, & SM-15

With Serial Numbers 1000000 thru 3000000 for all others see Pub.#'s 608-3 & 608-4

<u>Item No.</u>	<u>Part No.</u>	<u>Part Description</u>	<u>List Price</u>
1	007-5169	LLC-1300-3 Printed Circuit Board	\$279.00
2	007-6357	Fuse - 0.15 Amp (Mounted on PCB)	\$9.00
3	007-1310	4-Pole 40/50 Amp contactor (SM-12&15 1PH)	\$138.00
	007-1301	3-Pole 40/50 Amp contactor (SM-11, 12&15 3PH)	\$138.00
4	007-1271	Fuse, 40 Amp, 250V, Class H or K5 (SM-11 208V/1PH) & (SM-12 208-240V/1PH)	\$9.00
	007-1012	Fuse, 50 Amp, 250V, Class H or K5 (SM-15 208-240V/1PH)	\$9.00
5	007-1164K	Probe Assembly	\$47.00
6	007-6420	Contactor Snubber	\$12.00
7	007-1269	Fuse Block, 4 Fuse 2 Pole, up to 60A	\$90.00
8	007-1211	Safety Relief Valve 8lbs.	\$72.00
9	007-1274	Water Solenoid Valve 3/8"	\$84.00
10	007-4173	Drain Down Thermostat	\$38.00
11	006-2074-1	Tank & Elm 11kW 240V 1PH TR	SM-11 - 1100 \$724.00
	006-2074-2	Tank & Elm 11kW 208V 1PH TR	SM-11 - 1101 \$724.00
	006-2074-4	Tank & Elm 11kW 240V 3PH TR	SM-11 - 1102 \$724.00
	006-2074-3	Tank & Elm 11kW 208V 3PH TR	SM-11 - 1103 \$724.00
	006-2070-1	Tank & Elm 12kW 240V 1PH TR	SM-12 - 1200 \$753.00
	006-2070-2	Tank & Elm 12kW 208V 1PH TR	SM-12 - 1201 \$753.00
	006-2070-4	Tank & Elm 12kW 240V 3PH TR	SM-12 - 1202 \$753.00
	006-2070-3	Tank & Elm 12kW 208V 3PH TR	SM-12 - 1203 \$753.00
	006-2072-1	Tank & Elm 15kW 240V 1PH TR	SM-15 - 1500 \$811.00
	006-2072-2	Tank & Elm 15kW 208V 1PH TR	SM-15 - 1501 \$811.00
	006-2072-4	Tank & Elm 15kW 240V 3PH TR	SM-15 - 1502 \$811.00
	006-2072-3	Tank & Elm 15kW 208V 3PH TR	SM-15 - 1503 \$811.00
12	005-2162	Plastic Adapter	\$5.00
13	007-1246K-TR	Hose .58 Feet w/clamps	\$15.00
14	9060	Auto-Drain 240V (Optional)	\$400.00
	9061	Auto-Drain 208V (Optional)	\$400.00

*Prices are subject to change without notice.

Parts Blowout

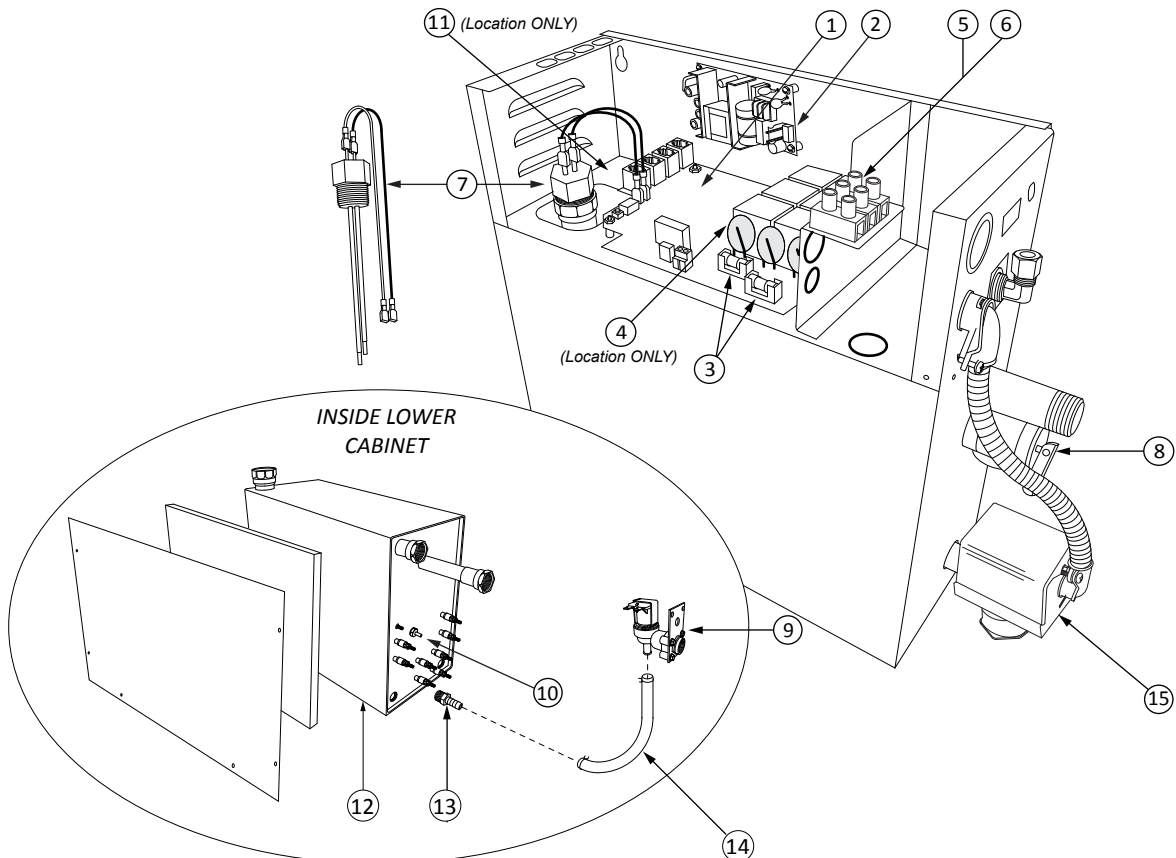


Models: TSG-7 & TSG-10
Serial numbers 2002000 thru 3000000

<u>Item No.</u>	<u>Part No.</u>	<u>Part Description</u>	<u>List Price</u>
1	007-3420	PCB Assembly, Main	\$435.00
2	007-3409	15V Power Supply 25W, PCB	\$70.00
3	007-3414	(.5A)208/240V AC Fuse (For Main PCB)	\$8.00
4	007-3415	(.8A) 15V DC Fuse (For Main PCB)	\$8.00
5	007-1276	Terminal Block 3 Pole, (1 Phase)	\$23.00
6	007-1247-4	Terminal Block 4 Pole, (3 Phase)	\$18.00
7	007-1164	Probe Assembly	\$47.00
8	007-1211	Safety Relief Valve (8lbs)	\$72.00
9	007-1274	Water Solenoid Valve	\$84.00
10	007-3407	Temp Sensor	\$62.00
11	007-3419	Ferrite Core for Sensor Cable	\$8.00
12	006-2066/1	Tank & Elm 7.5kW 240V	\$579.00
	006-2066/2	Tank & Elm 7.5kW 208V	\$579.00
	006-2067/1	Tank & Elm 10kW 240V	\$638.00
	006-2067/2	Tank & Elm 10kW 208V	\$638.00
13	005-2162	Plastic Adapter	\$5.00
14	007-1246K-LT	Hose 1.08 feet w/clamps	\$15.00
15	9070	Optional Auto-Drain 240V	\$400.00
	9071	Optional Auto-Drain 208V	\$400.00

**Prices are subject to change without notice.*

Model: TSG-7 & TSG-10

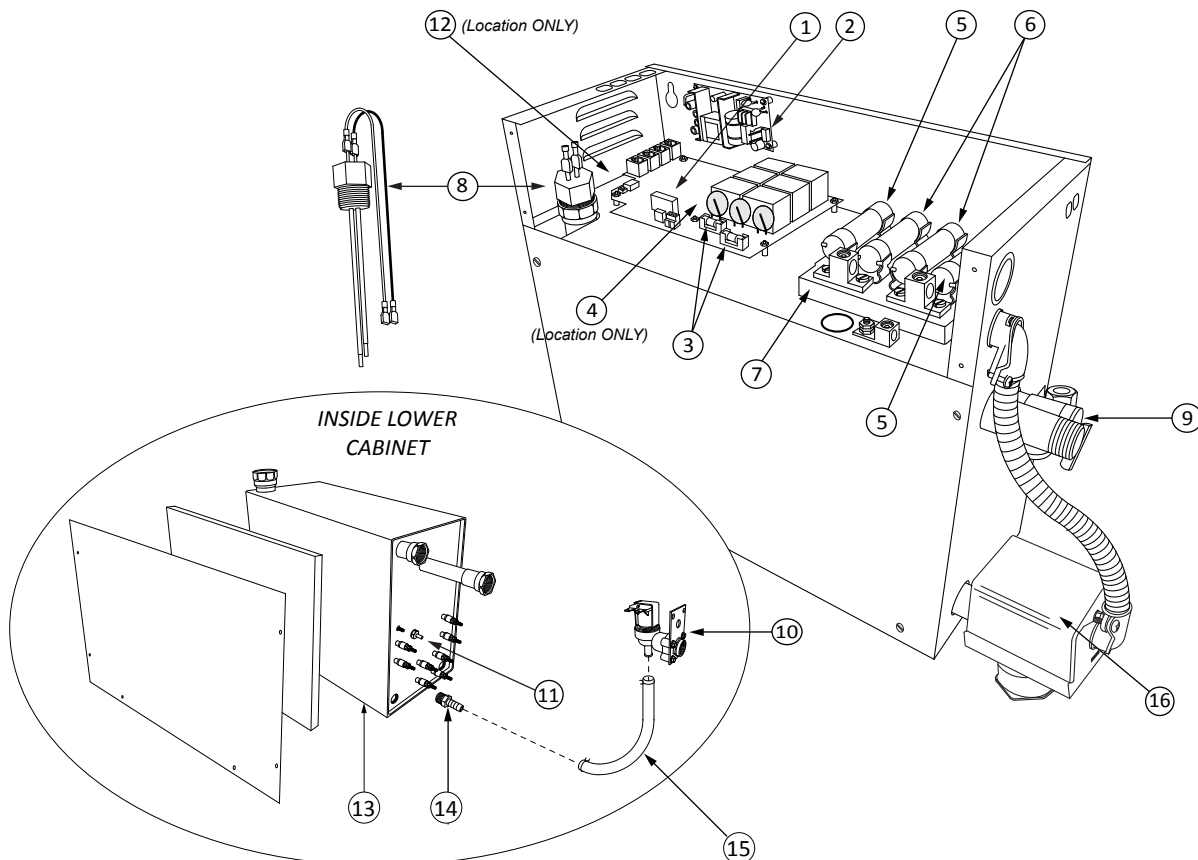


Models: TSG-12 & TSG-15 (with serial number 2002000 thru 3000000)

<u>Item No.</u>	<u>Part No.</u>	<u>Part Description</u>	<u>List Price</u>
1	007-3420	PCB Assembly, Main	\$435.00
2	007-3409	15V Power Supply 25W, PCB	\$70.00
3	007-3414	(.5A)208/240V AC Fuse (For Main PCB)	\$8.00
4	007-3415	(.8A) 15V DC Fuse (For Main PCB)	\$8.00
5	007-1277	35A,250V,CLASS H OR 5K Fuse (TSG-12 208/240V 1ph, 240V 3ph & TSG-15 208/240V 1ph)	\$8.00
6	007-1271	40A,250V,CLASS H OR 5K Fuse (TSG-12 208/240V 1ph, 240V 3ph)	\$9.00
	007-1009	60A,250V,CLASS H OR K5 Fuse (TSG-15, 208/240V 1ph)	\$12.00
7	007-1269	Fuse Block, 4Fuse 2Pole 60A (TSG-15, 208/240V 1ph)	\$90.00
	007-1038	Terminal Block, 3 pos, 150 amp (TSG-12/15, 3 phase ONLY)	\$54.00
8	007-1164	Probe Assembly	\$47.00
9	007-1211	Safety Relief Valve (8lbs)	\$72.00
10	007-1274	Water Solenoid Valve	\$84.00
11	007-3407	Temp Sensor, RTD, 400C FOR TANK	\$62.00
12	007-3419	Ferrite Core for Sensor Cable	\$8.00
13	006-2079-1	Tank & Elm 12kW 240V	\$678.00
	006-2079-2	Tank & Elm 12kW 208V	\$678.00
	006-2080-1	Tank & Elm 15kW 240V	\$678.00
	006-2080-2	Tank & Elm 15kW 208V	\$678.00
14	005-2162	Plastic Adapter	\$5.00
15	007-1246K-TR	Hose .58 feet w/clamps	\$15.00
16	9070	Optional Auto-Drain 240V	\$400.00
	9071	Optional Auto-Drain 208V	\$400.00

**Prices are subject to change without notice.*

Model: TSG-12 & TSG-15

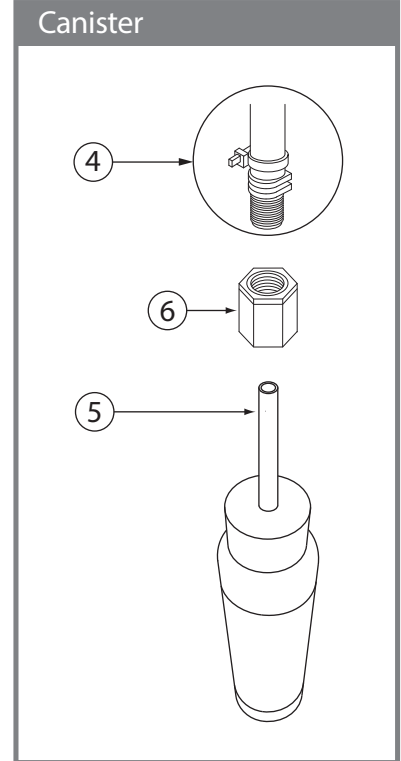


STEAMIST®

AromaSense Option

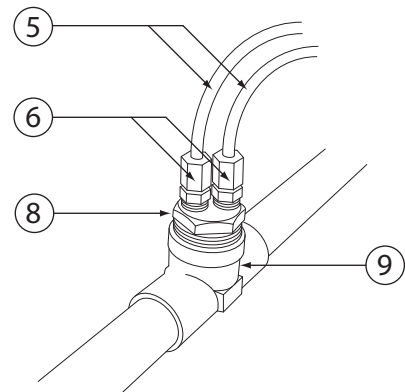
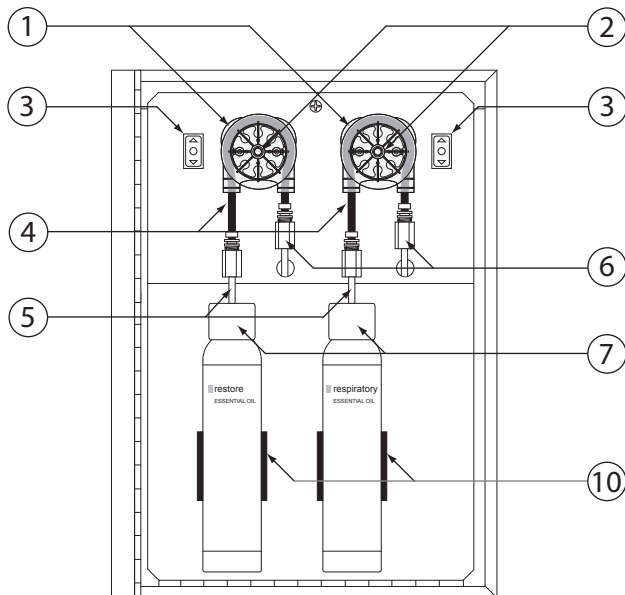
Model: TSA

<u>Item No.</u>	<u>Part No.</u>	<u>Description</u>	<u>List</u>
1.	007-3013	Peristaltic Pump Rollers each	\$278.00
2.	007-3013-2	Plastic/White Roller each	\$82.00
3.	007-3016	Manual Forward/Reverse Switch each	\$13.00
4.	007-3013-1	Black Peristaltic Pump Tube/Fittings each	\$82.00
5.	007-3014	Clear Discharge Tube/Per Foot	\$5.00
6.	005-2168	Tube Fitting Adapter, 1/8Tx1/8MPT/ each	\$5.00
7.	007-3018	Canister Caps Drilled each	\$6.00
8.	007-3021	AromaSense Plug Adapter	\$21.00
9.	005-2169	Injection Tee	\$26.00
10.	007-3020	Canister Holder Clip	\$3.00
11.	007-3015	120v Power Supply	\$93.00



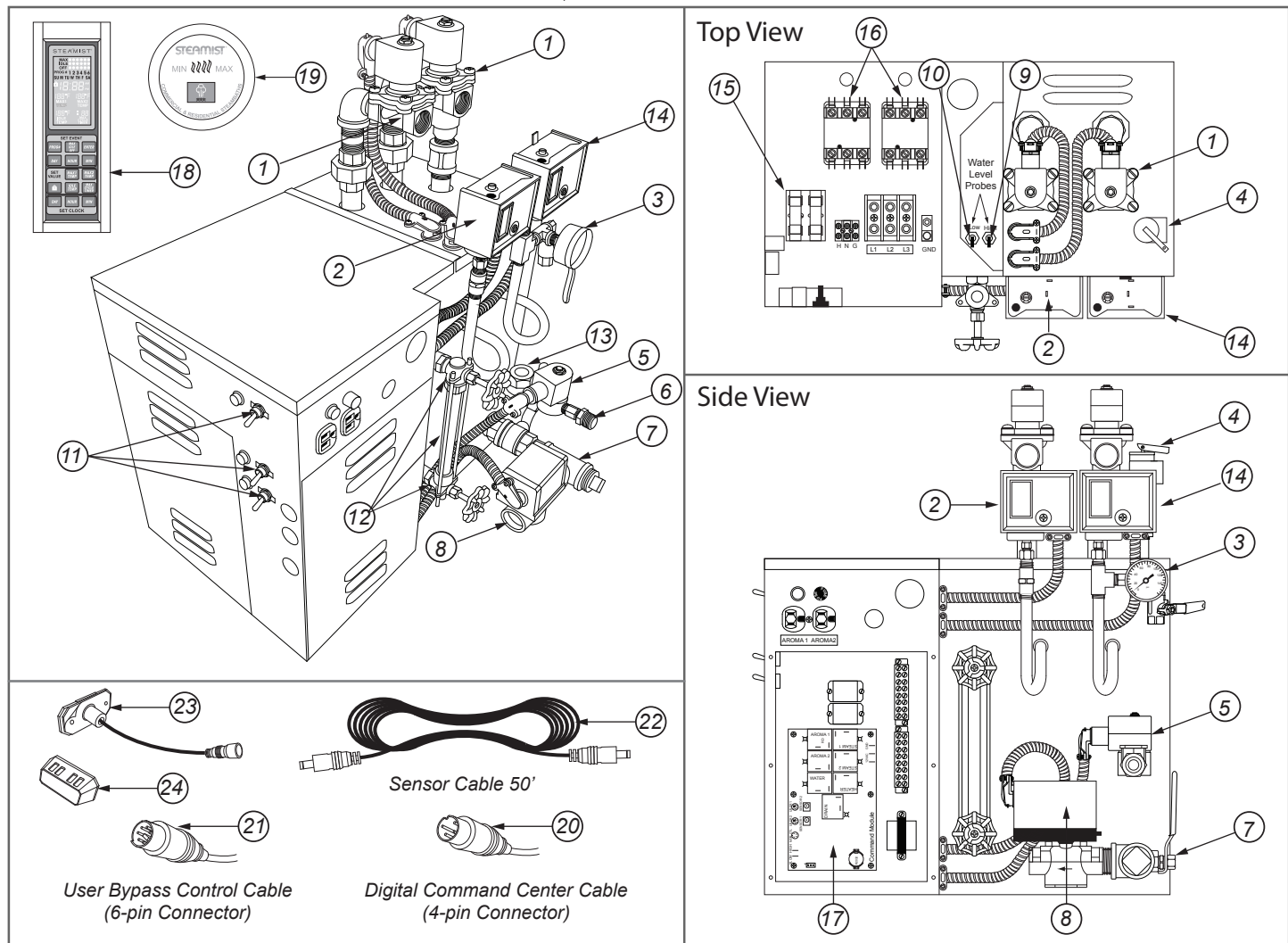
AromaSense Module

AromaSense Adapter



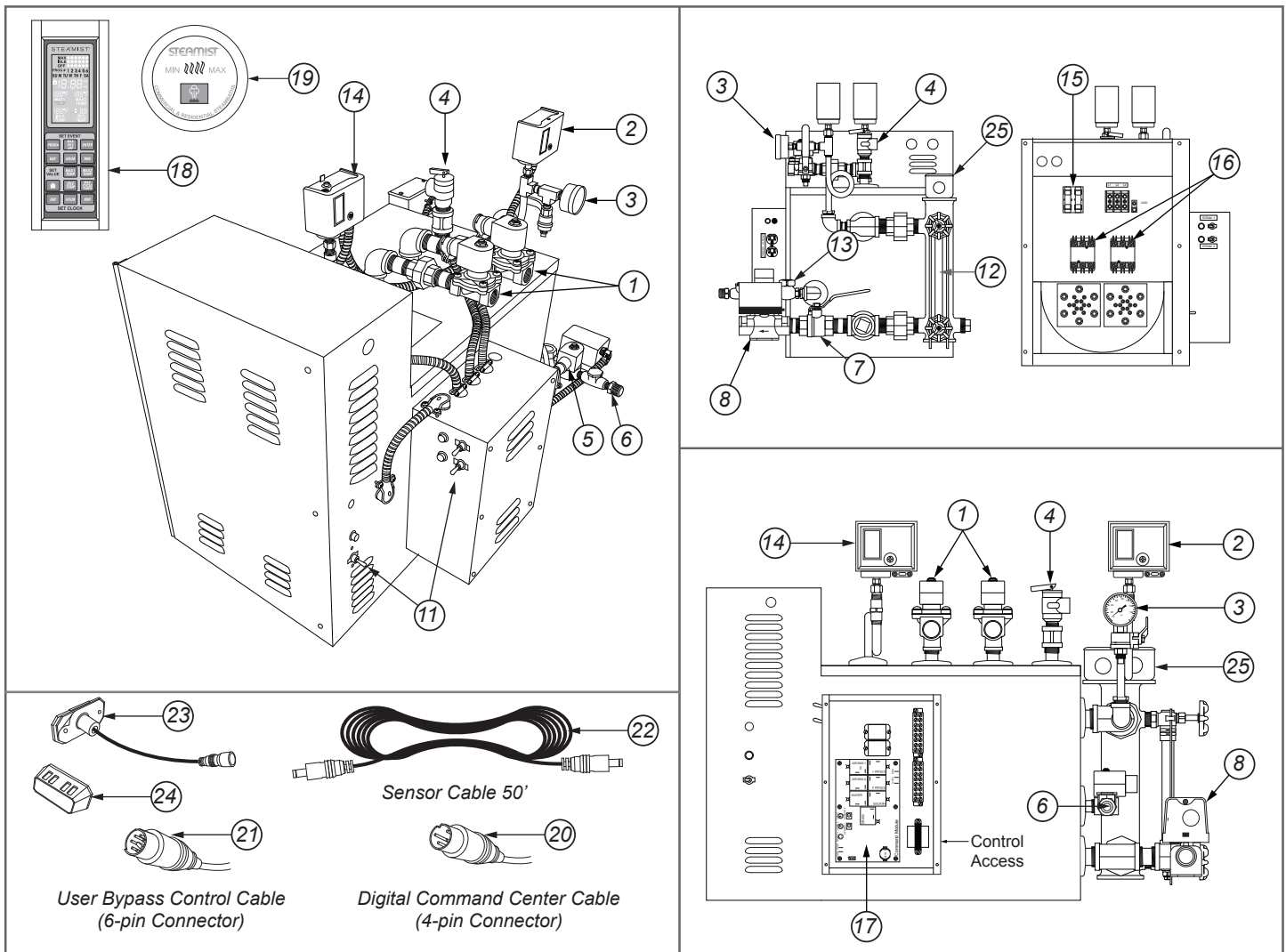
For models with serials #'s E-40000 and above

Item No.	Part No.	Part Description	Part No.	Item No.	Part No.	Part Description	Part No.
1	007-1262	Steam Solenoid Valve 3/4" 208/240V	\$346.00	13	007-1192	Check Valve - 1/4" Spring	\$84.00
	007-4116	Repair Kit - Steam Solenoid	\$153.00	14	007-7008K	HC-PCMR Aux Press. Control with Manual Reset	\$376.00
2	007-7007K	Pressure Switch 0-15 psi	\$210.00		007-1282	Transformer, Multitap (480V)	\$331.00
3	007-1237	Pressure Gauge 0-30 lbs.	\$26.00	15	007-1280	Fuse, 1 AMP	\$9.00
4	007-1215	Safety Relief Valve 15 psi	\$84.00	16	007-1301	Contactors, 3pl, 40/50 AMP, 208-240V	\$138.00
5	007-1116	Water Solenoid Valve 1/4" 208/240V	\$233.00		007-1310	Contactors, 4pl, 40/50 AMP, 208-240V	\$138.00
6	005-2122K	Strainer 1/4"	\$6.00		007-1307	Contactors, 2pl, 40/50 AMP, 208-240V	\$135.00
7	007-1226-1	Drain Valve - Manual 1"	\$91.00	17	007-1430	DCCP Control PCB	\$504.00
8	007-1161	Drain Valve - Motorized 1" (ABD - 240/480V)	\$367.00	18	007-1431	DCCP Manager Center	\$417.00
	007-1186	Drain Valve - Motorized 1" (ABD - 208V)	\$367.00	19	007-1432	DCCP User Control	\$129.00
9	006-6357	Probe 8-1/4" Long	\$53.00	20	007-1434	Cable 50' DCCP MGR Ctr (M to M)	\$52.00
10	006-6364	Probe 9-1/4" Long	\$53.00	21	007-1435	Cable, 50' DCCP User Ctrl (M to M)	\$52.00
11	007-1094	ON/OFF Switch - Steam 1, Steam 2, Power (DPST)	\$17.00	22	007-1436	Cable, 50' DCCP Sensor (M to M)	\$36.00
12	007-1231	Water Gauge Fixture Assembly (Includes all hardware w/glass tube)	\$147.00	23	007-1403	DCCP Sensor	\$52.00
	007-4117W	7" Glass Ga 5/8" x 7" w/hdw	\$42.00	24	006-3190	Sensor Cover	\$25.00
	007-1098	12V Transformer	\$51.00		007-1404	50' DCCP MGR Extension (M to F)	\$52.00
					007-1405	50' DCCP User Extension (M to F)	\$52.00
					007-1406	50' Sensor Extension (M to F)	\$36.00



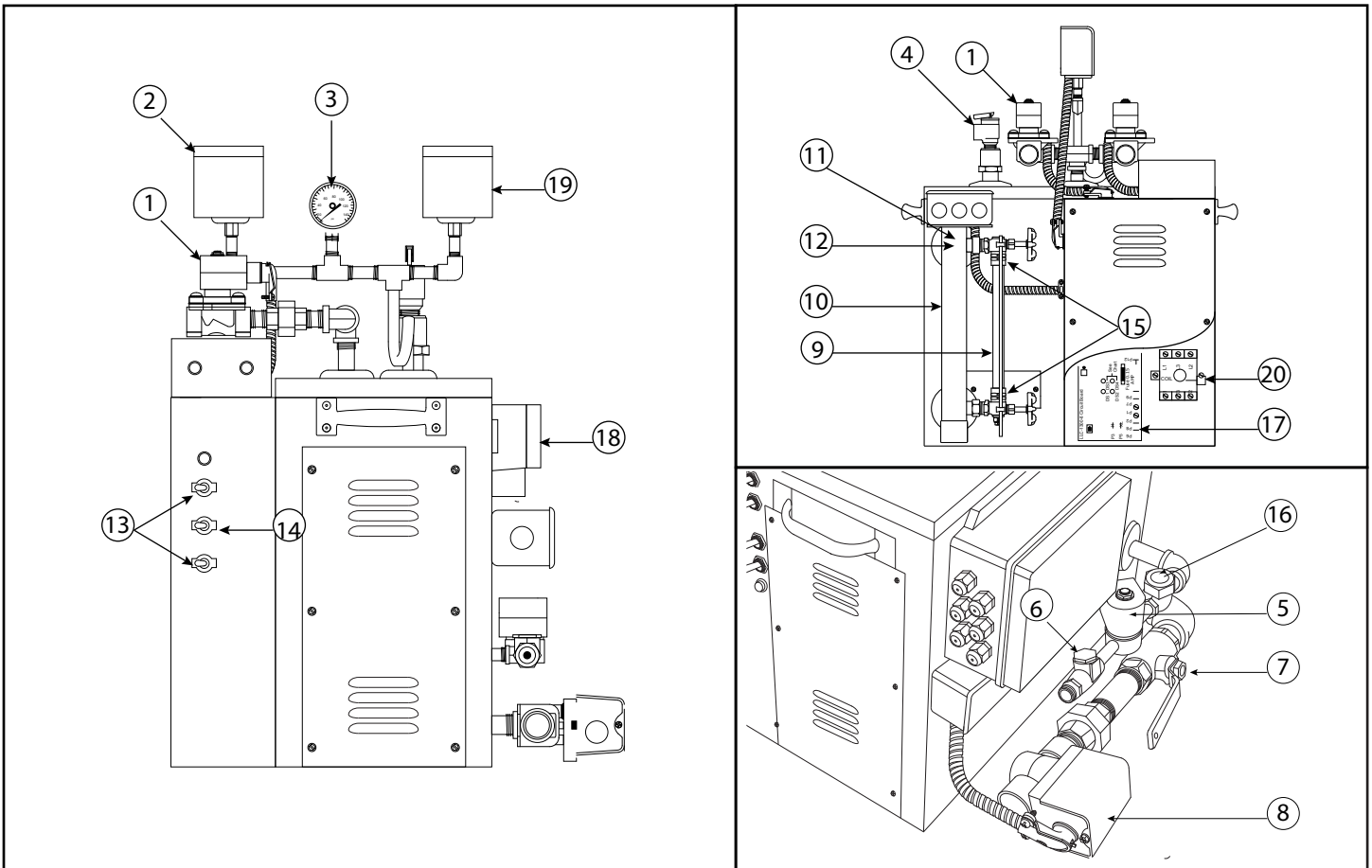
For models with serials #'s E-40000 and above

Item No.	Part No.	Part Description	List	Item No.	Part No.	Part Description	List
1	007-1262	Steam Solenoid Valve 3/4" 208/240V	\$346.00	13	007-1192	Check Valve - 1/4" Spring	\$84.00
	007-4116	Repair Kit - Steam Solenoid	\$153.00	14	007-7008K	HC-PCMR Aux Press. Control with Manual Reset	\$376.00
2	007-7007K	Pressure Switch 0-15 psi	\$210.00		007-1282	Transformer, Multitap (480V)	\$331.00
3	007-1237	Pressure Gauge 0-30 lbs.	\$26.00	15	007-1280	Fuse, 1 AMP	\$9.00
4	007-1215	Safety Relief Valve 15 psi	\$84.00	16	007-1301	Contactors, 3pl, 40/50 AMP, 208-240V	\$138.00
5	007-1116	Water Solenoid Valve 1/4" 208/240V	\$233.00		007-1310	Contactors, 4pl, 40/50 AMP, 208-240V	\$138.00
6	007-1208	Strainer 1/4"	\$57.00	17	007-1430	DCCP Control PCB	\$504.00
7	007-1226	Drain Valve - Manual 1"	\$91.00	18	007-1431	DCCP Manager Center	\$417.00
8	007-1161	Drain Valve - Motorized 1" (ABD - 240/480V)	\$367.00	19	007-1432	DCCP User Control	\$129.00
	007-1186	Drain Valve - Motorized 1" (ABD - 208V)	\$367.00	20	007-1434	Cable 50' DCCP MGR Ctr (M to M)	\$52.00
9	006-6354	Probe XL-Rod - 8 1/4"	\$30.00	21	007-1435	Cable, 50' DCCP User Ctrl (M to M)	\$52.00
10	006-6355	Probe H-Rod - 7 1/4"	\$30.00	22	007-1436	Cable, 50' DCCP Sensor (M to M)	\$36.00
11	007-1094	ON/OFF Switch - Steam 1, Steam 2, Power (DPST)	\$17.00	23	007-1403	DCCP Sensor	\$52.00
12	007-1231	Water Gauge Fixture Assembly (Includes all hardware w/glass tube)	\$147.00	24	006-3190	Sensor Cover	\$25.00
	007-4105W	8" Glass Ga 5/8" x 8" w/hdw	\$40.00		007-1404	50' DCCP MGR Extension (M to F)	\$52.00
	007-1098	12V Transformer	\$51.00		007-1405	50' DCCP User Extension (M to F)	\$52.00
					007-1406	50' Sensor Extension (M to F)	\$36.00
				25	006-6362	Water Column (Housing Only)	\$450.00



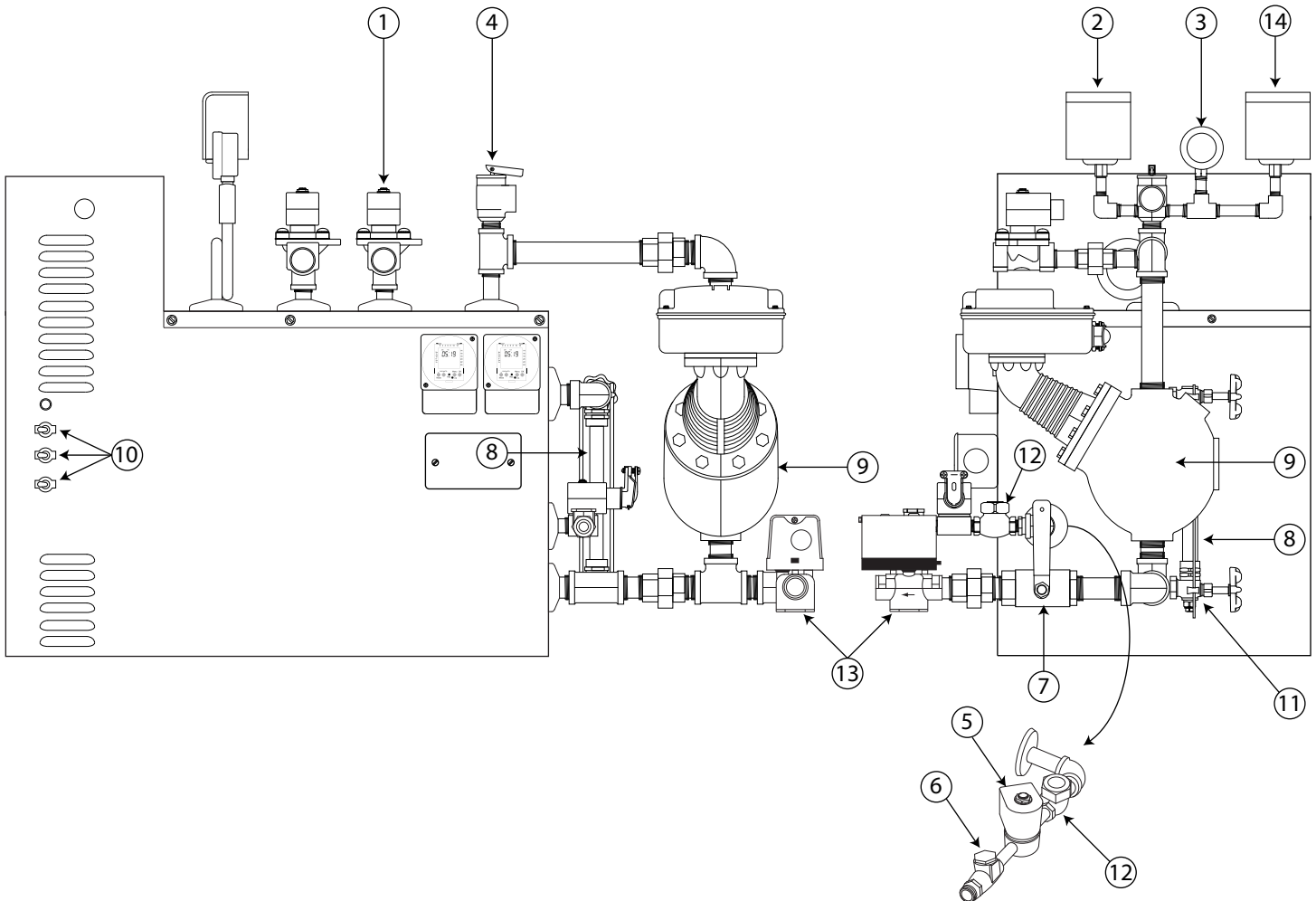
Item No.	Part No.	Part Description	List Price
1	007-1103	Steam Solenoid 1/2" 208/240V	\$305.00
2	007-7007K	Pressure Switch 0-15 psi	\$210.00
3	007-1128	Pressure Gauge 0-30lbs	\$26.00
4	007-1215	Safety Relief Valve - 15psi	\$84.00
5	007-1116	Water Solenoid 1/4" 208/240V	\$233.00
6	007-1208	Watts Strainer - 1/4"	\$57.00
7	007-1205	Drain Valve - Manual 1/2" (When not equipped with Blowdown)	\$47.00
7a	007-1226-1	Drain Valve - Manual 1" (When equipped with Blowdown)	\$91.00
8	007-1161	Drain Valve - Motorized 1" (ABD - 240/480V)	\$367.00
	007-1186	Drain Valve - Motorized 1" (ABD - 208V)	\$367.00
9	007-1219W	Glass Sight Tube 9 1/4" Kit with nuts and washers.	\$40.00
10	006-6356	Water Level Probe Housing Assy. (includes item #11 & #12)	\$554.00
11	006-6357	Probe - XL Rod - (Only for 006-6356)	\$53.00
12	006-6358	Probe - H Rod - (only for 006-6356)	\$53.00
13	007-1096	On/Off Switch - Start , Water	\$17.00
14	007-1094	On/Off Switch - Steam	\$17.00
15	007-1212W9	Water Gauge Fixture Assembly (includes all hardware & glass tube)	\$107.00
16	007-1192	Check Valve - 1/4" Spring	\$84.00
17	007-5090	LLC-1300-6 Printed Circuit Board (Serial Number - E-24934 D.O.M. 3/90+)	\$279.00
18	007-1090	24-hr/7-day Programmable clock	\$367.00
19	68008-KIT	HC-PCMR Aux Press. Control with manual reset	\$359.00
	007-1023	Transformer, Multitap, .25KvA (480V)	\$331.00
	007-4116	Repair Kit - Steam Solenoid	\$153.00
	007-6420	Contact Snubber	\$12.00
	007-6357	Fuse - 0.15 Amp, 250v, slow-blow (Mounted on PCB)	\$9.00
	007-1280	Fuse - 1 amp (cabinet mounted for control circuitry)	\$9.00
20	007-1301	Contactor, 3pl, 40/50amp, 208-240v	\$138.00
	007-1310	Contactor, 4pl, 40/50amp, 208-240v	\$138.00

***Prices are subject to change without notice.**



Item No.	Part No.	Part Description	List Price
1	007-1262	Steam Solenoid 3/4" 208/240V (Serial Number E-27374 +)	\$346.00
	007-1103	Steam Solenoid 1/2" 208/240V (Up to serial number E-27373)	\$305.00
2	007-7007K	Pressure Switch 0-15 psi	\$210.00
3	007-1128	Pressure Gauge 0-30lbs.	\$26.00
4	007-1215	Safety Relief valve - 15psi	\$84.00
5	007-1116	Water Solenoid 1/4" 208/240V	\$233.00
6	007-1208	Watts Strainer - 1/4"	\$57.00
7	007-1205	Drain Valve - 1/2" (When not equipped with Blowdown)	\$47.00
7a	007-1226-1	Drain Valve - Manual 1" (When equipped with Blowdown)	\$91.00
8	007-4105W	Glass Sight Tube - 8" (Kit with Nuts & Washers)	\$40.00
9	007-1121	McDonnell Miller Water Feeder #150	\$973.00
10	007-1094	On/Off Switch - Water, Steam, Power	\$17.00
11	007-1212W8	Water Gauge Fixture Assembly (includes all hardware & glass tube)	\$105.00
12	007-1192	Check Valve - 1/4" Spring	\$84.00
13	007-1023	Transformer, Multitap, .25KvA (480V)	\$315.00
	007-1161	Drain Valve - Motorized 1" (ABD - 240/480V)	\$367.00
14	007-1186	Drain Valve - Motorized 1" (ABD - 208V)	\$367.00
	68008-KIT	HC-PCMR Aux Press. Control with manual reset	\$359.00
	007-4116	Repair Kit - Steam Solenoid	\$153.00
	007-1090	24-hr/7-day Programmable clock	\$367.00
	007-1199	McDonnell Miller #150 - Gasket	\$24.00
	007-1280	Fuse - 1 amp (cabinet mounted for control circuitry)	\$9.00
	007-6420	Contact Snubber	\$12.00
	007-1301	Contact, 3pl, 40/50amp, 208-240v	\$138.00
	007-1310	Contact, 4pl, 40/50amp, 208-240v	\$138.00

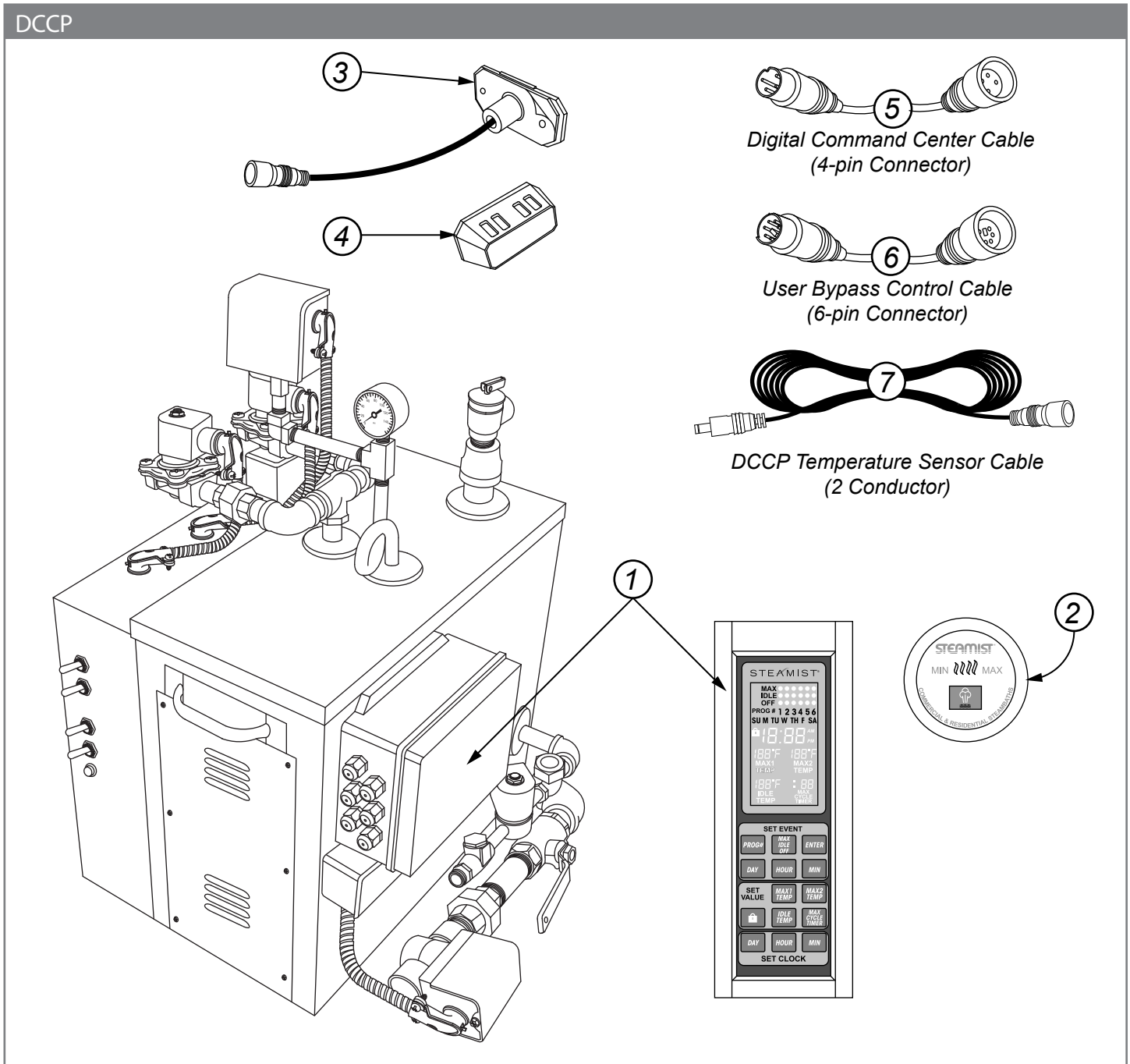
***Prices are subject to change without notice.**



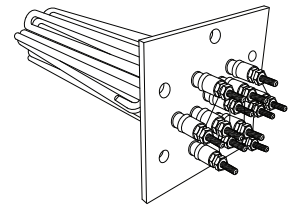
Digital Commercial Control Package For HC models with serial #'s up to E-39999

<u>Item No.</u>	<u>Part No.</u>	<u>Part Description</u>	<u>List Price</u>
1	007-1400-RETRO	DCCP Control Module/Command Center	\$683.00
2	007-1432	DCCP User Control	\$129.00
3	007-1403	DCCP Sensor	\$52.00
4	006-3190	Sensor Cover	\$25.00
5	007-1404	CABLE, 50' DCCP COMMAND CENTER	\$52.00
6	007-1405	CABLE, 50' DCCP USER CONTROL	\$52.00
7	007-1406	CABLE, 50' DCCP SENSOR	\$36.00
	007-1098	Transformer, 240/208-12V, 20VA	\$51.00

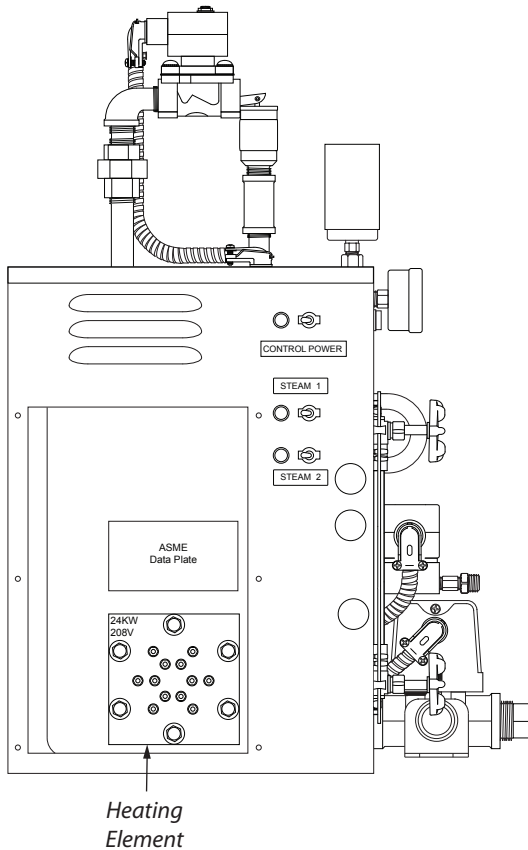
**Prices are subject to change without notice.*



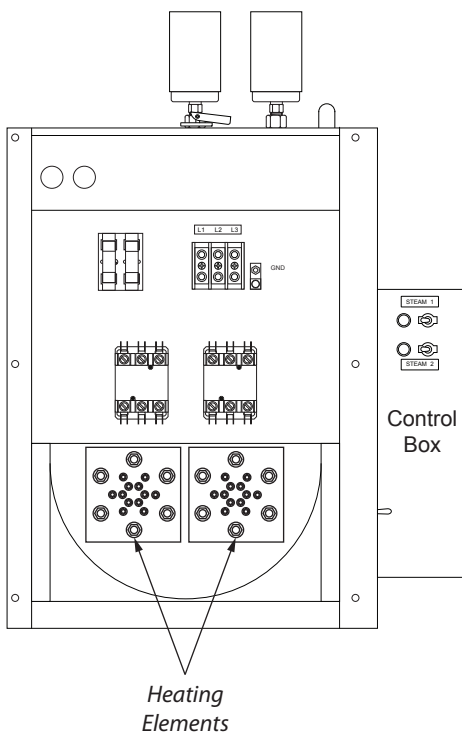
HC-9 thru HC-72 Heating Elements



HC W/Single Element



HC W/Dual Elements



<u>Part No.</u>	<u>Part Description</u>	<u>List</u>
AHE-0016/1	Heating Element 9kW 208V 1PH	\$305.00
AHE-0016/1A	Heating Element 9kW 208V 3PH	\$305.00
AHE-0016/2	Heating Element 9kW 240V 1PH	\$305.00
AHE-0016/2A	Heating Element 9kW 240V 3PH	\$305.00
AHE-0016/3A	Heating Element 9kW 480V 3PH	\$305.00
AHE-0017/1	Heating Element 12kW 208V 1PH	\$348.00
AHE-0017/1A	Heating Element 12kW 208V 3PH	\$348.00
AHE-0017/2	Heating Element 12kW 240V 1PH	\$348.00
AHE-0017/2A	Heating Element 12kW 240V 3PH	\$348.00
AHE-0017/3A	Heating Element 12kW 480V 3PH	\$348.00
AHE-0018/1	Heating Element 15kW 208V 1PH	\$390.00
AHE-0018/1A	Heating Element 15kW 208V 3PH	\$390.00
AHE-0018/2	Heating Element 15kW 240V 1PH	\$390.00
AHE-0018/2A	Heating Element 15kW 240V 3PH	\$390.00
AHE-0018/3A	Heating Element 15kW 480V 3PH	\$390.00
AHE-0019/1	Heating Element 18kW 208V 1PH	\$423.00
AHE-0019/1A	Heating Element 18kW 208V 3PH	\$423.00
* AHE-0019/1A6	Heating Element 18kW 208V 3PH	\$423.00
AHE-0019/2	Heating Element 18kW 240V 1PH	\$423.00
AHE-0019/2A	Heating Element 18kW 240V 3PH	\$423.00
AHE-0019/3A	Heating Element 18kW 480V 3PH	\$423.00
AHE-0021/1	Heating Element 24kW 208V 3PH	\$538.00
* AHE-0021/1A6	Heating Element 24kW 208V 1PH	\$538.00
AHE-0021/2	Heating Element 24kW 240V 3PH	\$538.00
* AHE-0021/2A6	Heating Element 24kW 240V 1PH	\$538.00
AHE-0021/3	Heating Element 24kW 480V 3PH	\$538.00
AHE-0025/1A	Heating Element 30kW 208V 3PH	\$614.00
AHE-0025/2A	Heating Element 30kW 240V 3PH	\$614.00
AHE-0025/3A	Heating Element 30kW 480V 3PH	\$614.00
AHE-0026/1A	Heating Element 36kW 208V 3PH	\$630.00
AHE-0026/2A	Heating Element 36kW 240V 3PH	\$630.00
AHE-0026/3A	Heating Element 36kW 480V 3PH	\$630.00
006-4202	Heating Element Gasket	\$28.00
AHE-0023	Heating Element Bolts	\$12.00

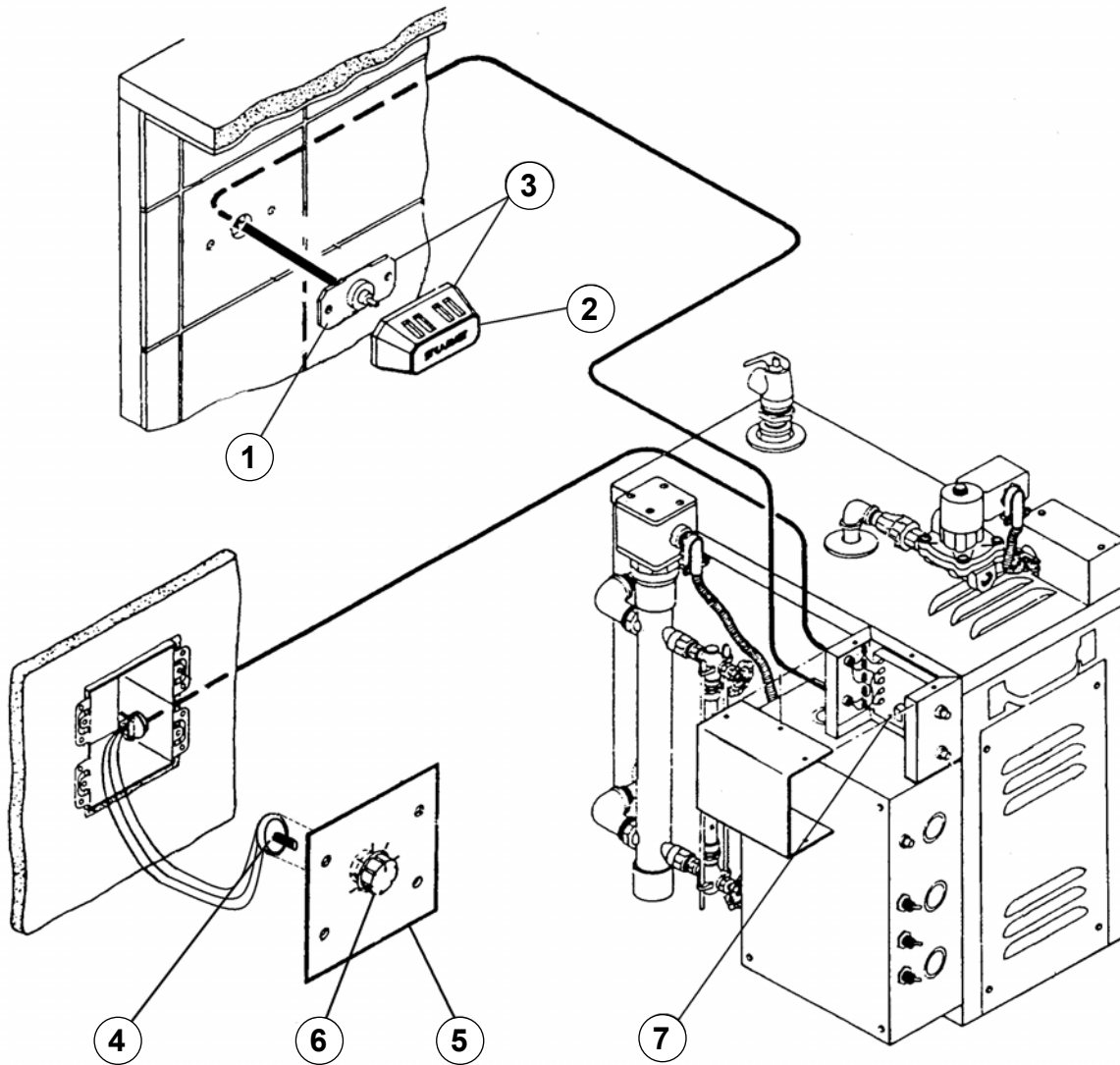
*** For Serial numbers 40000 and above ONLY**

CP-1 Control Parts

For HC Models with serial #'s up to E-39999

<u>Item No.</u>	<u>Part No.</u>	<u>Part Description</u>	<u>List Price</u>
1	007-1189	Sensor Assembly	\$72.00
2	006-3190	Sensor Cover - Chrome	\$25.00
3	007-5103	Sensor Assembly w/cover	\$96.00
4	007-1041	Potentiometer - Temp Controller	\$37.00
5	006-4304	ST-200C Face Plate - Chrome	\$21.00
6	007-6911	ST-200C Knob - Black	\$14.00
7	007-4107	ST-200C Control Board 240V (Serial Number - E-24934 D.O.M. 3/90+)	\$279.00
	007-1041K	Items 4,44 & 45 packaged together as a kit	\$71.00

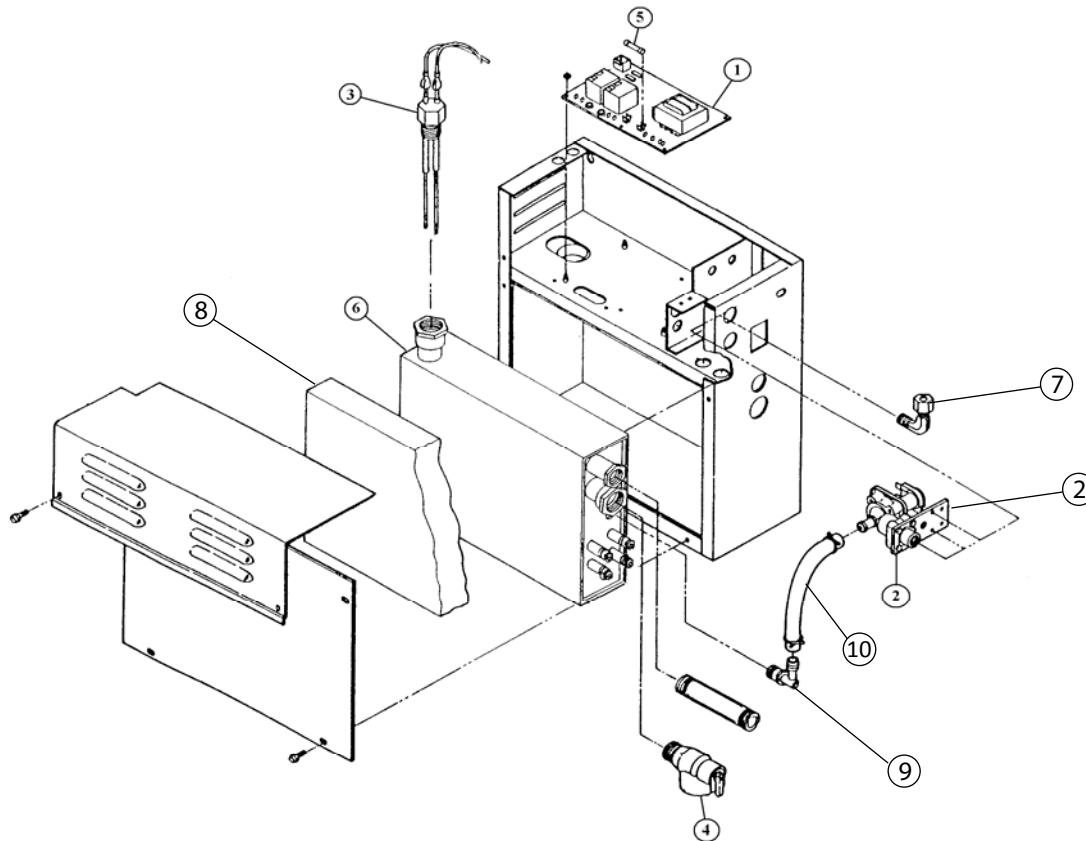
***Prices are subject to change without notice.**



Models: LT-50 thru LT-100

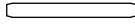
*Prices are subject to change without notice.

<u>Item No.</u>	<u>Part No.</u>	<u>Part Description</u>	<u>List Price</u>
1	007-5183	LLC-1300-4 Printed Circuit Board	\$279.00
2	007-1274	Water Solenoid 3/8"	\$84.00
3	007-1164	Probe Assembly	\$47.00
4	007-1211	Safety Valve 8lbs.	\$72.00
5	007-6357	Fuse - 0.15 AMP (Mounted on PCB)	\$9.00
6	006-2010/2A	Tank & Element Assembly - 5kW 240V	LT-50 \$528.00
	006-2010/1A	Tank & Element Assembly - 5kW 208V	\$528.00
	006-2020/2A	Tank & Element Assembly - 6.5kW 240V	LT-65 \$546.00
	006-2020/1A	Tank & Element Assembly - 6.5kW 208V	\$546.00
	006-2030/2A	Tank & Element Assembly - 7.5kW 240V	LT-75 \$596.00
	006-2030/1A	Tank & Element Assembly - 7.5kW 208V	\$596.00
	006-2045/2	Tank & Element Assembly - 8.5kW 240V	LT-85 \$642.00
	006-2045/1	Tank & Element Assembly - 8.5kW 208V	\$642.00
	006-2060/1	Tank & Element Assembly - 10kW 240V	LT-100 \$720.00
	006-2060/2	Tank & Element Assembly - 10kW 208V	\$720.00
7	005-2148	Elbow, brass, 3/8C x 3/8mPT	\$7.00
8	006-6186	Insulation, SM/LT, 6 pc. Set	\$18.00
9	005-2147	Elbow, plastic, 3/8mPT x 3/8hb	\$8.00
10	007-1246K-LT	Hose, LT Cabinet 13 inches	\$15.00



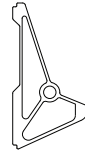
Parts List for SBS-101 Tilt-Up Seats W/ Round Metal Support Rods

Bracket Hinge Pin



002-2200
\$17.00

Wall Bracket



002-2201
\$62.00

Screw 3.25"L for Wall
Bracket



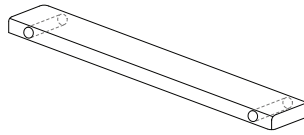
002-2202
\$3.00

Plastic Anchor for Wall
Bracket Screw



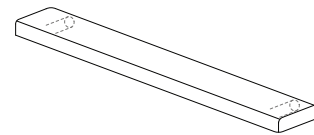
002-2203
\$2.00

Wood Slat W/Thru Hole



002-2204
\$67.00

Wood Slat Front



002-2205
\$67.00

Screw for Wood Slat



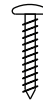
002-2206 - Stainless Steel
\$1.00
002-2207 - Brass
\$2.00

Rod Cushion W/O Screw



002-2219
\$9.00

Rod Cushion Screw



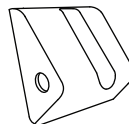
002-2220 - Stainless Steel
\$1.00
002-2221 - Brass
\$2.00

Pin Cap



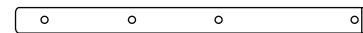
002-2209 - Polished Chrome
\$5.00
002-2210 - White
\$5.00
002-2211 - Brass
\$7.00
002-2212 - Brushed Nickel
\$7.00

Bracket Cover



002-2214 - Polished Chrome
\$34.00
002-2215 - White
\$34.00
002-2216 - Brass
\$48.00
002-2217 - Brushed Nickel
\$48.00

Round Metal Support Rod
for Wood Slat



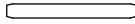
002-2223 - Polished Chrome
\$67.00
002-2224 - White
\$67.00
002-2225 - Brass
\$80.00
002-2226 - Brushed Nickel
\$80.00

Note: For seats with square metal support rods see Pub# 608-18

***Prices are subject to change without notice.**

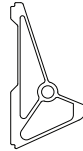
Parts List for SBS-101 Tilt-Up Seats W/ Square Metal Support Rods 9101-PC, 9101-PN, 9101-BN, 9101-ORB

Bracket Hinge Pin
(Set of 2)



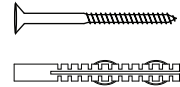
002-2230
\$17.00

Wall Bracket



002-2231
\$62.00

Screw 3.25"L for Wall
Bracket
(Set of 8)



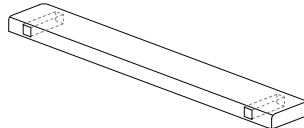
002-2232
\$40.00

Screw for Wood Slat



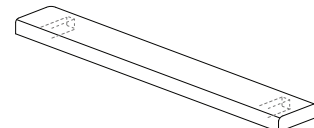
002-2236 - Stainless Steel
\$1.00

Wood Slat W/Thru Hole



002-2234
\$67.00

Wood Slat Front



002-2235
\$67.00

Pin Cap



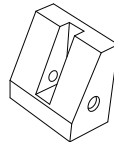
002-2237-PC
Polished Chrome
\$5.00

002-2237-PN
Polished Nickel
\$5.00

002-2237-BN
Brushed Nickel
\$7.00

002-2237-ORB
Oil Rubbed Bronze
\$7.00

Bracket Cover



002-2238-PC
Polished Chrome
\$34.00

002-2238-PN
Polished Nickel
\$34.00

002-2238-BN
Brushed Nickel
\$48.00

002-2238-ORB
Oil Rubbed Bronze
\$48.00

Square Metal Support Rod
for Wood Slat



002-2239-PC
Polished Chrome
\$67.00

002-2239-PN
Polished Nickel
\$67.00

002-2239-BN
Brushed Nickel
\$80.00

002-2239-ORB
Oil Rubbed Bronze
\$80.00

Note: For seats with round metal support rods see Pub# 608-10

***Prices are subject to change without notice.**

STEAMIST®

Sauna Heater Replacement Parts List

2014

Sauna Control	Part#	For use with:	List
<i>S1T - Residential Control</i>	0930	SMS-60R only	\$383.00
<i>S2T - Residential Control</i>	0931	SMS-80R thru SMS-150	\$347.00
<i>S2 - Commercial Control</i>	0932	SMS-60R thru SMS-150	\$331.00
<i>Knob for S2T control</i>	004-1064	S2T	\$17.00
Sauna Temperature Sensor	007-1350	S170-1 / S170-3	\$105.00
<i>S170 - Control only</i>	007-1347	S170-1 / S170-3	\$435.00
<i>S170 - PCB for Module Box</i>	007-1351	S170-1 / S170-3	\$504.00
<i>S170 - Control Cable, Black, 15 feet</i>	007-1348	S170-1 / S170-3	\$56.00
<i>S170 - Control Cable, Ext. W/Coupler 30 feet</i>	007-1349	S170-1 / S170-3	\$66.00
Contactors	Part#	For use with:	List
<i>SL-402</i>	0933	SMS-80R - Mechanical	\$520.00
<i>SL-303</i>	0934	SMS-80R-3 - Mechanical	\$425.00
<i>SL-404</i>	0935	SMS-105, 120, 150 - Mechanical	\$718.00
<i>SL-503</i>	0936	SMS-105-3, 120-3, 150-3 - Mechanical	\$630.00
<i>Internal Contactor</i>	007-1353	SMS-60 (1 Phase)	\$113.00
<i>Internal Contactor</i>	007-1354	SMS-80 (1 Phase)	\$113.00
<i>Internal Contactor</i>	007-1356	SMS-145	\$348.00
<i>S170-1 & S170-3 - 40AMP Relay</i>	007-1352	0937 & 0938 Only	\$56.00
Misc Parts	Part#	For use with:	List
<i>Internal Thermostat</i>	007-1345	SMS-45, SMS-60 and SMS-80	\$111.00
<i>Internal Timer</i>	007-1344	SMS-45, SMS-60 and SMS-80	\$56.00
<i>60 min mechanical timer</i>	007-1359	S1T (SMS-60R ONLY)	\$200.00
<i>60 min mechanical timer</i>	007-1268	S2T	\$95.00
<i>High Limit Reset</i>	007-1346	SMS-105, SMS-120 and SMS-150	\$176.00
<i>High Limit Reset</i>	007-1355	SMS-100, SMS-125 and SMS-145	\$185.00
Elements	Part #	Description	List
<i>SMS-20 (2kW, 120V) (Two heat elements used per Model)</i>	006-4109	Heating Element 1000W, 120V	\$105.00
<i>SMS-30 (3kW, 240V) (Two heat elements used per Model)</i>	006-4110	Heating Element 1500W, 240V	\$116.00
<i>SMS-45 (4.5kW, 240V) (Three heat elements used per Model)</i>	006-4112	Heating Element 1500W, 240V	\$122.00
<i>SMS-60(R) (6kW, 240V) (Three heat elements used per Model)</i>	006-4105	Heating Element 2000W, 240V	\$92.00
<i>SMS-80(R) (8kW, 240V) (Three heat elements used per Model)</i>	006-4113	Heating Element 2670W, 240V	\$116.00
<i>SMS-80-3 (8kW, 208V, 3PH) (Three heat elements used per Model)</i>	006-4114	Heating Element 2670W, 208V	\$116.00
<i>SMS-105 (10.5kW, 240V) (Six heat elements used per Model)</i>	006-4103	Heating Element 1750W, 240V	\$92.00
<i>SMS-105-3 (10.5kW, 208V, 3PH) (Six heat elements used per Model)</i>	006-4104	Heating Element 1750W, 208V	\$92.00
<i>SMS-120 (12kW, 240V) (Six heat elements used per Model)</i>	006-4105	Heating Element 2000W, 240V	\$92.00
<i>SMS-120-3 (12kW, 208V, 3PH) (Six heat elements used per Model)</i>	006-4106	Heating Element 2000W, 208V	\$92.00
<i>SMS-150 (15kW, 240V) (Six heat elements used per Model)</i>	006-4107	Heating Element 2500W, 240V	\$151.00
<i>SMS-150-3 (15kW, 208V, 3PH) (Six heat elements used per Model)</i>	006-4108	Heating Element 2500W, 208V	\$151.00

HPJ-2S

<u>Item No.</u>	<u>Part No.</u>	<u>Part Description</u>	<u>List Price</u>
1	006-6348	Heating Element 120V, 1.5kW (Includes Gasket)	\$142.00
2	007-4114	Temp/Pressure Control (Robert Shaw)	\$121.00
3	007-4102	Reset Switch (Thermo-Disc)	\$59.00
4	007-1212W8	Water Fixture Assembly (Top & Bottom, Includes items 6, 7, 8, & 9)	\$105.00
5	005-1014	Elbow, 1/2" NPT	\$7.00
6	007-1260	Friction Washer (Each)	\$3.00
7	006-3207	Rubber Washer for Glass tube (not sold separately)	N/A
8	005-2138	Brass Nut for the glass tube (not sold separately)	N/A
9	007-4105W	Glass Sight Tube 8" Kit (Includes 2 each of 6, 7, and 8)	\$40.00
10	006-3216	Aluminum Nozzle	\$7.00
11	007-1102	1/4" Steam Solenoid Assembly	\$236.00
12	005-2074	Pig Tail	\$32.00
13	005-2122K	1/4" Adapter with Strainer (Inside)	\$6.00
14	005-2023	"L" Shape Nipple (1/4" Male THD x 1/8" FTHD)	\$25.00
15A	007-1240-1	Indicator Light Fill/Steam, Orange	\$7.00
15B	007-1240-2	Indicator Light Heat, Orange	\$7.00
15C	007-1240-3	Indicator Light Reset, Red	\$7.00
16A	007-5275	Rocker Switch	\$42.00
16B	007-1083	ON/OFF Chrome (old)	\$40.00
17A	006-3215	Funnel	\$23.00
17B	005-2017	1/2" x 3" Nipple	\$11.00
18	007-1205	1/2" Ball Valve, Fill/Drain	\$48.00
19	006-4201	Gasket for Heating Element	\$15.00
20	007-1122	Electric Foot Switch - Pedal	\$106.00
21	002-1075	Cord with Plug	\$53.00
22	007-1129	Pressure Gage	\$32.00
23	007-1214	1/2" Safety Valve 100psi	\$212.00
24	005-1101	1/4" x 1 1/2", Nipple	\$7.00
25	005-2109	Street Elbow, 1/2" x 1/2"	\$17.00
	007-1223	Pedal Valve (HPJ-2)	\$197.00

*Prices are subject to change without notice.

